



Egg Shell Printer

DJ800 series eggshell printers provide solutions for multiple scales of egg coding demands. From a simple and standalone eggshell printer to a network-connected eggshell printer which allows to remotely control and monitor.

- Thermal Inkjet Technology
- Minimal consumption costs
- Single or Multiple Printheads
- Maintenance Free

Printhead & Ink Cartridge

- Disposal TIJ ink cartridge to keep your egg factory clean, leaves no droplet on the site.
- Print resolution: 300 dpi x 300 dpi
- Standard number of printheads: 2 pcs and 6 pcs, others can be designed based on your market demand.



- The ski system of the printhead kit automatically adjusts the printhead distance to the egg.

Inkjet Cartridge:

- Ink Type: Aqueous food-grade ink
- Colors: Red, Green, Blue
- Ink Capacity: 35ml



Anti-rust structure ensures longer life time.

Anti-Rust Shell

Two Options of Controller

Two options of printer controller with different-level functions and operation methods.

DJ800n

- Standard controller, operate by 6 buttons.
- Print messages must be created by a PC, then transferred to the controller via a USB stick.



DJ800plus

- Advanced controller, operate by the 7" touch screen.
- Allow to remote operate and monitor.

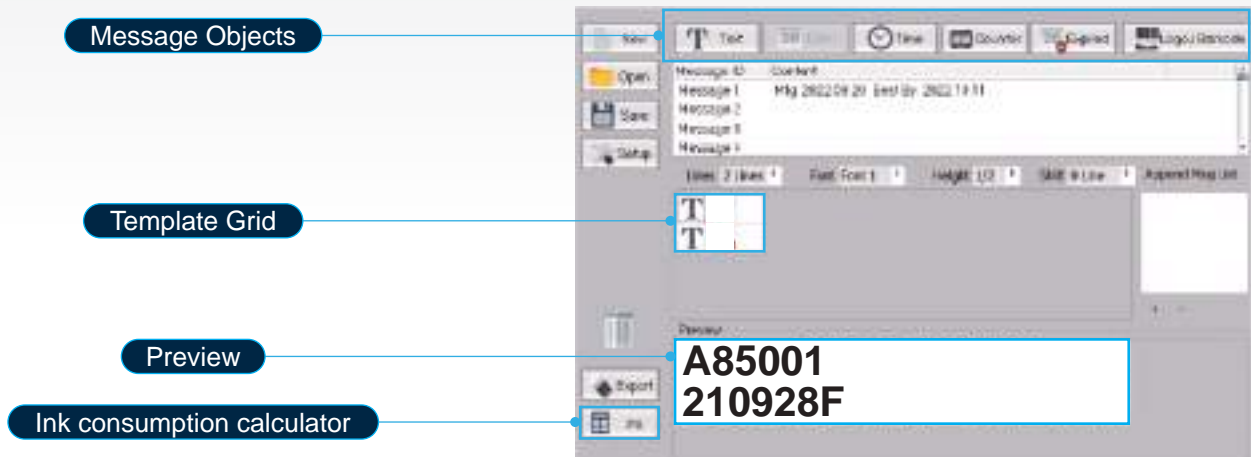


Controllers: DJ800n v.s. DJ800plus

Each controller has its own features that help egg factory follow the egg coding regulations at a reasonable cost.

DJ800n

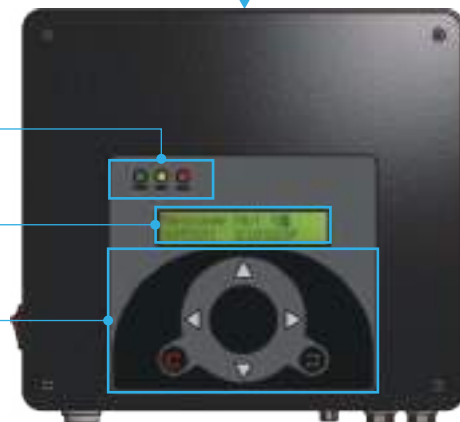
- Cost-effective
- Create print jobs by the PC software Oval, then transfer the files to the controller by a USB stick
- Controller internal memory: 30 print jobs
- Ink consumption calculator
- Ideal for simple print job, offline print
- Print capability: alphanumeric, date /time, logo, static linear barcode and static 2D barcode
- Message lines from 1 line to 4 lines
- Print height options: 2mm, 3mm, 9mm
- 2 font types: Normal and bold, not allow other font types



Create print messages on a computer. Its PC software is easy to use, simply click and drag the required message object into the template grid, then start editing content. **After the creation, copy the file to a USB flash drive.**

Using a USB stick to transfer print files from a computer to the controller.

- LED light indicators: Power, Trigger, Alarm
- 20 characters x 2 lines LCD display
- 6 buttons to operate the controller



Controllers: DJ800n v.s. DJ800plus

Each controller has its own features that help egg factory follow the egg coding regulations at a reasonable cost.

DJ800plus

- 7" full-color touch screen to operate the controller directly
- Print messages can be created on the printer controller, or on a computer
- Controller internal memory: 1000 print jobs
- Ink consumption calculator
- External connectivity: RS-232, Ethernet, USB
- Print capability: alphanumeric, date /time, logo, linear barcode and 2D barcode
- Flexibility of print message creation
- Print height up to 9mm
- Multiple languages for the operation interface
- Multiple language input methods
- Font type: allow to install any font



DJ800plus can display the current print job and remaining ink level.

More Applications with DJ800plus controller.

- Ink warning: Connect a beacon light for ink warning, so operators can replace a new ink cartridge in time. No need to run to each printer to check remaining ink level.
- Remote control and monitor from a computer or a smartphone through an Ethernet or Wi-Fi connected network.
- Integration with an Inkjet Remote Control System, which can connect and manage up to 16 sets of controllers. You can send and change print job for all connected controllers.

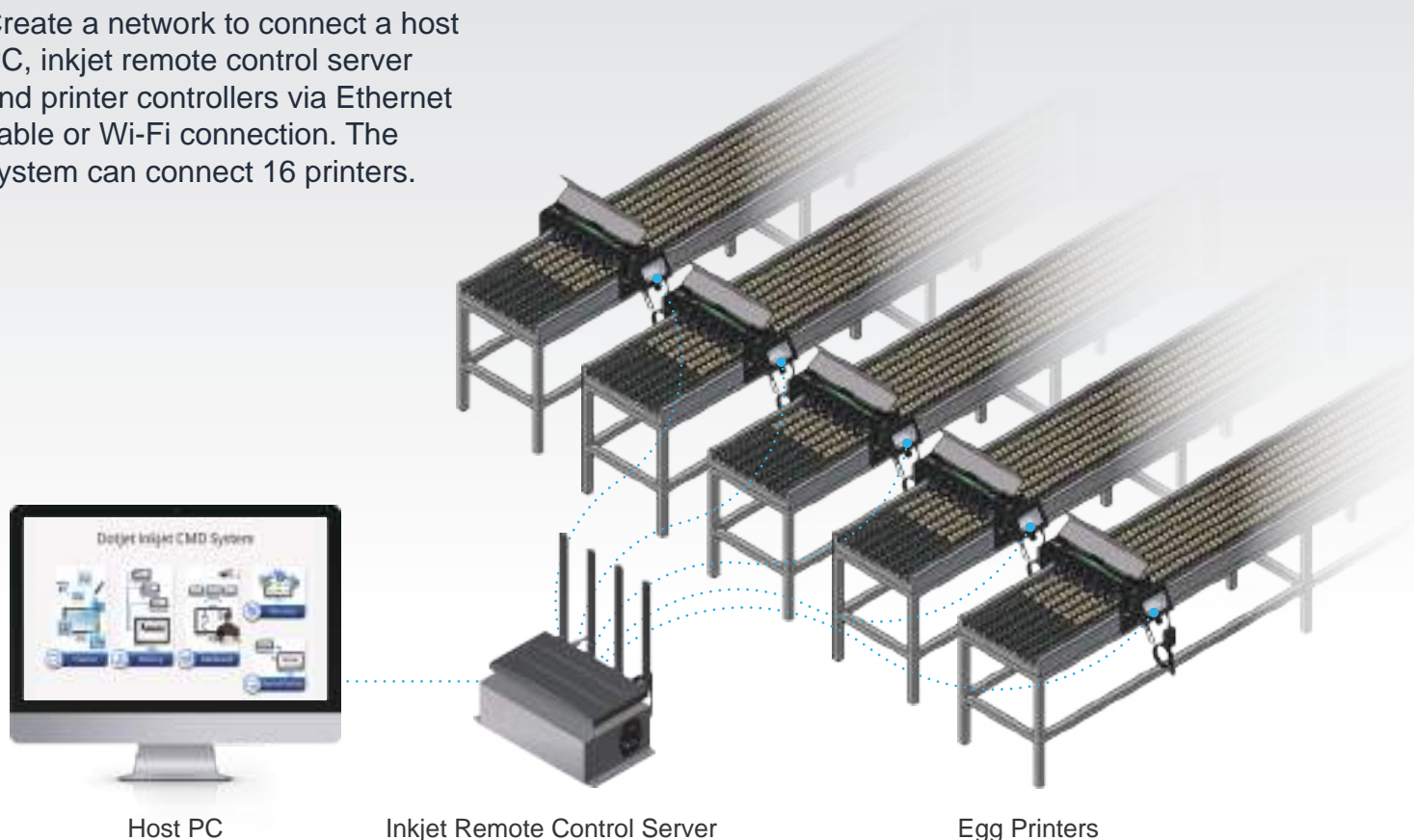


Inkjet Remote Control System

With the Inkjet Remote Control System, you can manage the print jobs for multiple lines of egg printers (DJ800plus controller), remotely control egg printers, change print jobs, and monitor print status on a computer. There is no need to walk through the whole plant to set up print jobs on each printer from time to time.

Network Frame

Create a network to connect a host PC, inkjet remote control server and printer controllers via Ethernet cable or Wi-Fi connection. The system can connect 16 printers.



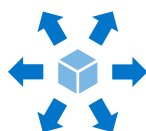
Applications



Create print messages on a host PC.



Deliver files to all egg printers.



Monitor, manage and change print jobs.



Remotely control and operate egg printers.

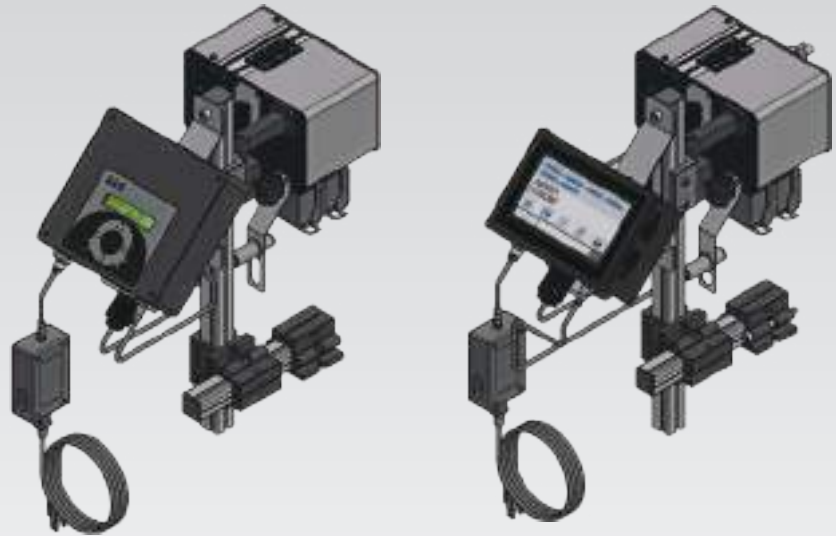


Back up files and restore them to PC or printer controllers.



Please contact us to learn more details about the operation

Models



Model Name	DJ800n-CS2	DJ800plus-CS2
Controller	DJ800n	DJ800plus

Printhead direction	Downwards	Distance between printheads	45mm~50mm
Number of printheads	2	Installation	Side installation

- The printer height is not convenient in adjustment after installation.
- Installed after egg grading machine where the eggs are classified by sizes.

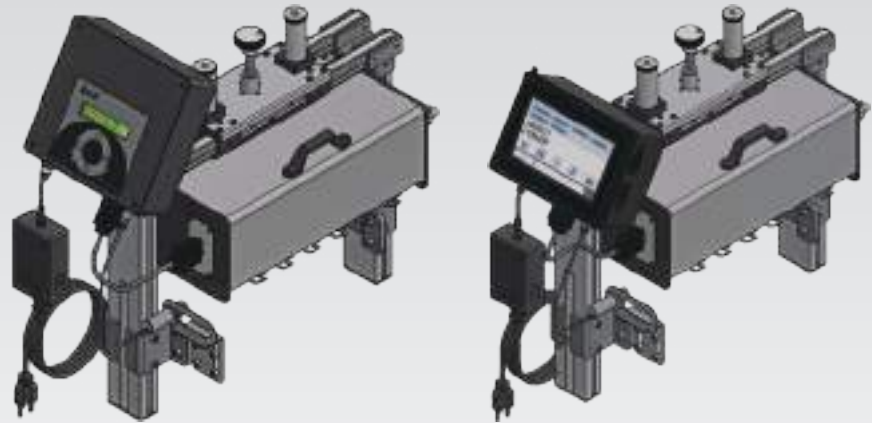


Model Name	DJ800n-CM6	DJ800plus-CM6
Controller	DJ800n	DJ800plus

Printhead direction	Downwards	Distance between printheads	45mm~50mm
Number of printheads	6	Installation	Cross conveyor

Models

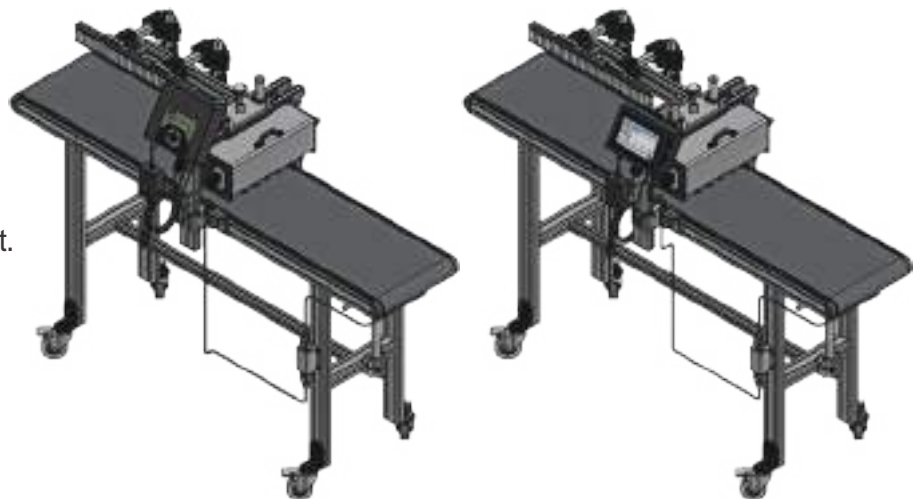
- Manually adjust the printer distance against the conveyor belt.
- Installed after egg grading machine or on a stand-alone conveyor.



Model Name	DJ800n-C6EV	DJ800plus-C6EV
Controller	DJ800n	DJ800plus

Printhead direction	Downwards	Distance between printheads	45mm~50mm
Number of printheads	6	Installation	Cross conveyor

- With a kit of conveyor system, including an encoder set.
- Conveyor dimensions: L160 x W75 x H125 cm
- Manually adjust the printer distance against the conveyor belt.



Model Name	DJ800n-CC6	DJ800plus-CC6
Controller	DJ800n	DJ800plus

Printhead direction	Downwards	Distance between printheads	45mm~50mm
Number of printheads	6	Installation	Cross conveyor

Models



- What if you need a customized egg printer? Please contact us and let's work together to make your egg processing line better!

Model Name	Please contact us for further details		
Controller	DJ800plus		
Printhead direction	Downwards	Distance between printheads	Based on demand
Number of printheads	1~12	Installation	Cross conveyor

General Specifications

Power supply for printer controller	AC 110v-220v please make a notice while placing order
Power supply for the conveyor system of SC6 model	AC 110v-220v please make a notice while placing order
Acceptable differences in egg sizes	15mm
Distance between printheads	40mm~50mm can be fixed during the installation
Acceptable conveyor speed	Max: 25 meters/ per minute
Print height	Max: 9mm please refer to the controller page
Print quantity	2 printheads: Max 40,000 eggs per hour 6 printheads: Max 120,000 eggs per hour
DJ800n controller	Internal memory can store 30 print jobs.
DJ800plus controller	7" touch screen, design print jobs directly, ideal for remote control and monitor.
Print resolution	300 dpi x 300 dpi
Others	Pleaser refer to the controller page